

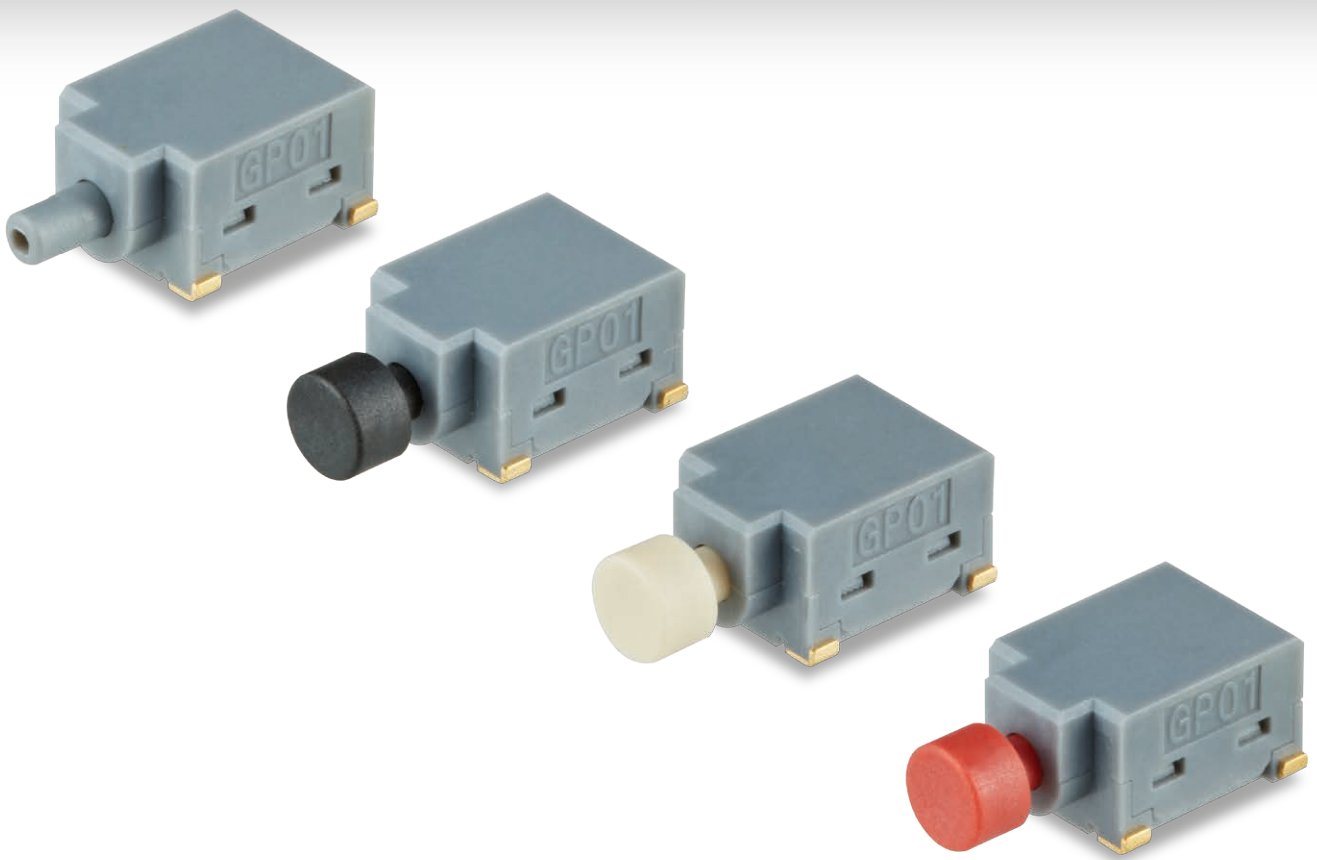
New Products

NIKK
SWITCHES

CONTACT No. 310

Series GP01

Ultra-Miniature Size Allows High Density Mounting

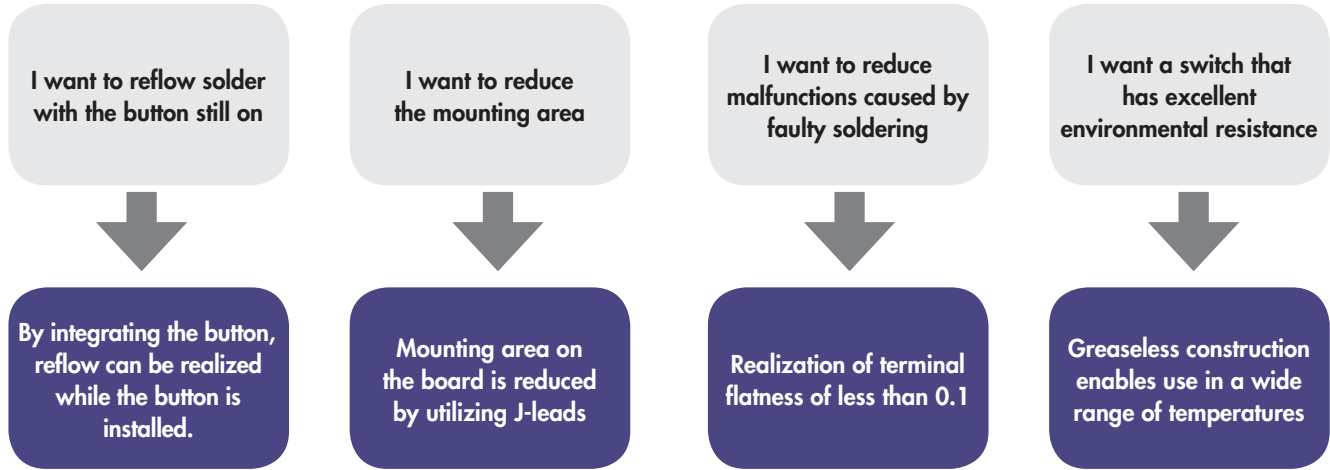


Right Angle SMT Pushbuttons

NIKK SWITCHES CO., LTD.

The perfect miniature push-button switches for miniaturized electronic devices

Designed to respond to a wide range of customer needs



The Circuit Board Mounting Areas have been Reduced, Helping to Make Smaller Electronic Devices

(Registered Design)

Made of Heat-Resistant Resin

Heat-resistant resin allows reflow soldering.

Highly Resistant to Harsh Environments

This device is greaseless, allowing it to withstand harsh environments, including temperatures from -40° C to 85° C (-40° F to 185° F).

Reduces Labor Hours

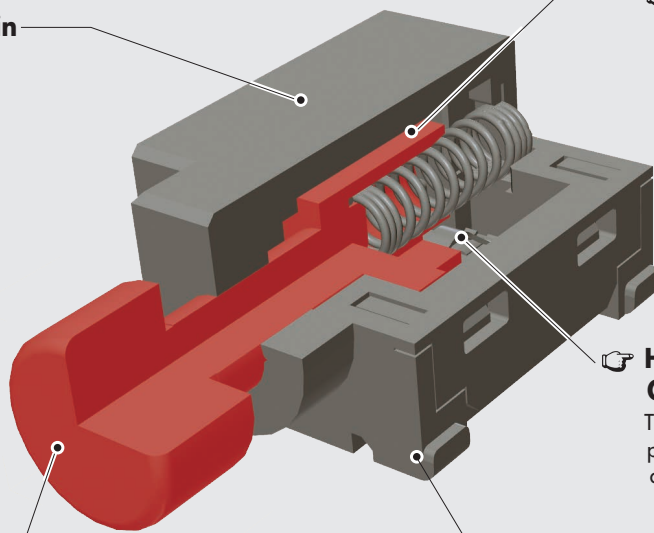
The button type has an integrated heat-resistant button made of heatproof resin, allowing reflow soldering without removing the button and reattaching it afterwards. This helps to reduce labor hours.

Highly Reliable Gold-Plated Contacts

The contact with gold plating provides increased contact stability and long life.

Surface Mounting

J leads are used for the terminals, regarding the footprints on the PCB.



Manual Cleaning is Recommended

Use an alcohol-based detergent to remove flux from the printed circuit board after soldering.

► Applications

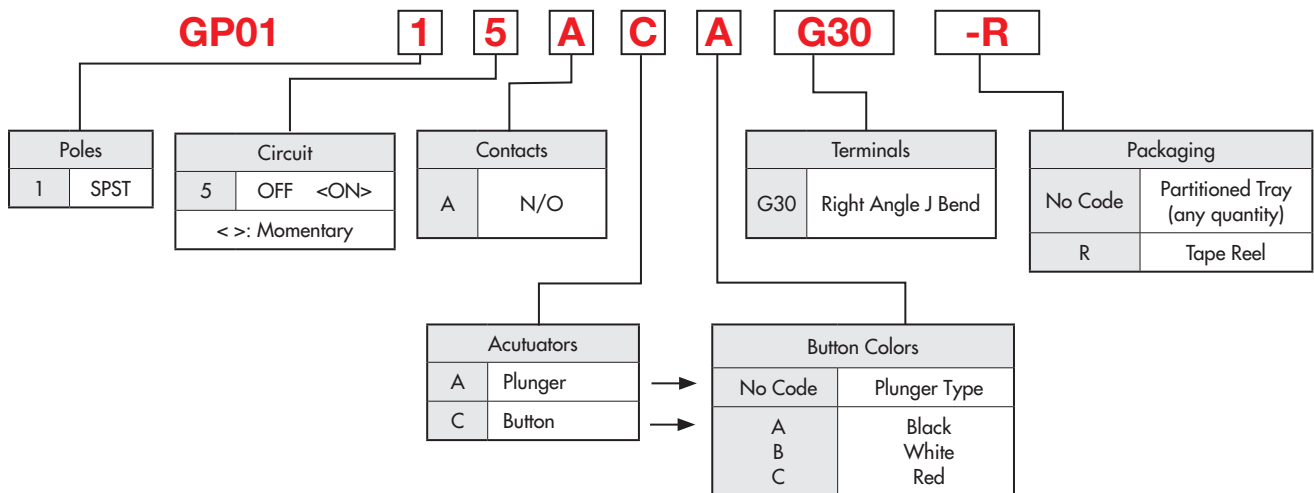
- Communication Device
- OA Appliances
- Switching Equipment
- Control Boards
- IoT (Internet of Things)

► General Specifications

Electrical Capacity	▶ 0.4 VA maximum @ 28 V AC/DC maximum (Applicable Range 0.1 mA -0.1 A @ 20 mV-28 V)	Operation Temperature Range	-40° C to +85° C (-40° F to +185° F)
Contact Resistance	80 milliohms maximum (20 mV @ 10 mA)	Travel	1.1 mm (0.04")
Insulation Resistance	500 megohms minimum @ 500 V DC	Soldering	▶ Manual Soldering, Profile B (Applicable Range: 0.1 mA -0.1 A @ 20 mV-28 V) 390° C maximum for 4 seconds maximum ▶ Reflow Soldering Recommended, Profile B See Profile B in the supplementary section "Switch Guide"
Dielectric Strength	500 V AC minimum for 1 minute minimum		
Mechanical Life	40,000 operations minimum		
Electrical Life	40,000 operations minimum		

⚠ Each rated value/performance value is obtained through independent testing. Therefore, the same results are not guaranteed under complex conditions. Please refer to General Specifications page in General Catalog "Switch Guide" on specific models, ratings and ordering instructions.

► Typical Switch Ordering System



*The plunger type cannot be combined with A (black), B (white) or C (red).

► Poles & Circuits

Plunger Position <> Momentary			Model		Contacted Terminal	
Model			Plunger Type	Button Type		
SPST	OFF	<ON>	GP0115AAG30 GP0115AAG30-R	GP0115AC*G30 GP0115AC*G30-R	OFF	1-2

*Button Color: A=Black, B=White, C=Red

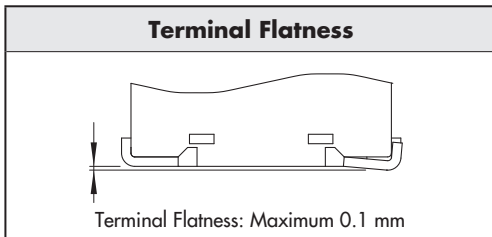
► Sales Date

May 15, 2017

▶ Typical Switch Dimensions

Note: Terminal numbers are not displayed on the switches.

Plunger Type		<p>Pad Layout for Surface Mount Terminals (Reference Diagram)</p>
Button Type		<p>Pad Layout for Surface Mount Terminals (Reference Diagram)</p>



▶ Instructions

How to Handle

After soldering, take care not to place mechanical stress on the terminal area, such as warping of the circuit board.

Packaging

This device can be packaged either with carrier tape (500 switches, tape width 24 mm) or in a partitioned tray. Be sure to add the following packaging codes at the end of the product name.

The carrier tape pack needs to be ordered in package units.

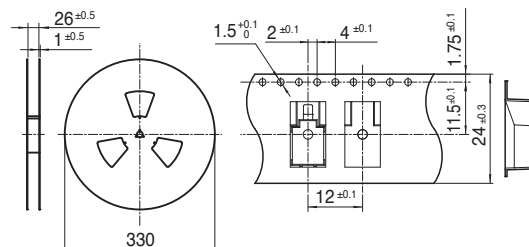
Packaging

Partitioned Tray: (No Code)

Tape Reel: -R

Tape-Reel Packaging for Right Angle Mount

Each tape-reel contains 550 pockets with 500 switches.



* Specifications presented here are subject to change without notice. Check with our staff for the latest specifications.