

Change Notice

GW Series

Change to Method of Identification for GW Rockers & Paddles & GW Illuminated Paddles

Type of Change:

- Engineering Part Number
- Product Appearance



Example of GW12LJVCF before change to methods of identification.

Switch Identification	Before Change	After Change
Part Number	Hot Stamp	Pad Print
Lot Code	Hot Stamp	Engrave

The process by which identification is applied to the GW Series switch cases will be changing. Previously, both the part number and the lot code were hot stamped on the case, but the method will be revised to pad printing the part number and engraving the lot code. The logo will also be updated on the label. These changes will effect both standard and custom products for the GW Rockers and Paddles, and GW Illuminated Paddles. The table below lists the standard part numbers that will be effected by these revisions.

GW Rockers & Paddles					
GW12RBP	GW12RBH	GW12RBV	GW12RCP	GW12RCH	GW12RCV
GW12RHP	GW12RHH	GW12RHV	GW12LBP	GW12LBH	GW12LBV
GW12LCP	GW12LCH	GW12LCV	GW12LHP	GW12LHH	GW12LHV
GW22RBP	GW22RBH	GW22RBV	GW22RCP	GW22RCH	GW22RCV
GW22RHP	GW22RHH	GW22RHV	GW22LBP	GW22LBH	GW22LBV
GW22LCP	GW22LCH	GW22LCV	GW22LHP	GW22LHH	GW22LHV
GW Illuminated Paddles					
GW12LJPC	GW12LJPD	GW12LJPF	GW12LJPCF	GW12LJHC	GW12LJHD
GW12LJHF	GW12LJHCF	GW12LJVC	GW12LJVD	GW12LJVCF	GW12LJVCF

Note

The location of the lot code will change from the side of switch case with part number to side with NKK logo. Contact the factory if more information is needed.

Effective Date

Changes to methods of identification on switch cases will be effective April 2015.

NKK SWITCHES CO., LTD. <http://www.nkk.com> E-mail: nkkswitches@nkkswitches.co.jp
 715-1 Unane, Takatsu-ku, Kawasaki-shi, 213-8553 Japan TEL: +81 44 813 8001 FAX: +81 44 813 8031

Change Notice

GW Series

Revision to Vertical PC Terminals on GW Rockers & Paddles & GW Illuminated Paddles

Type of Change:

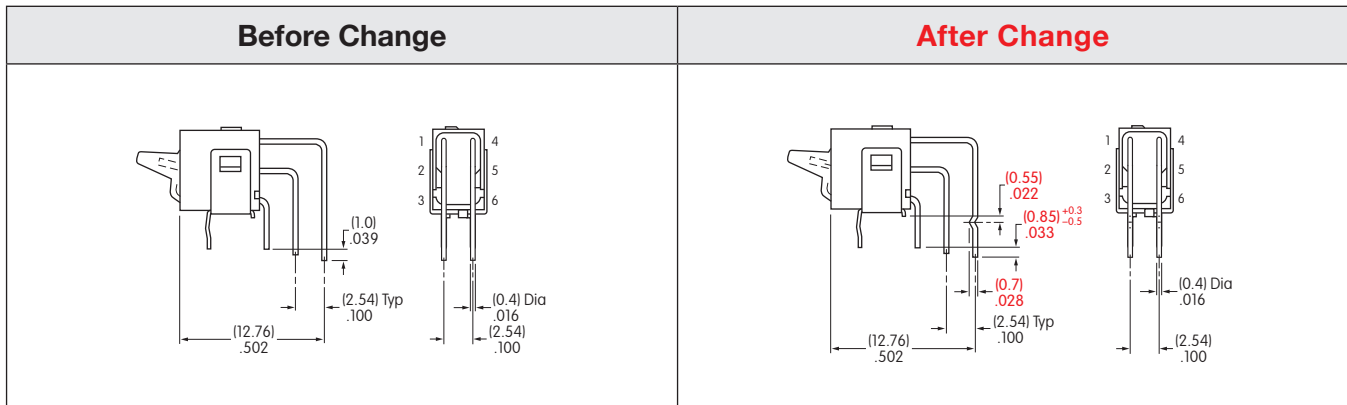
- Engineering Part Number
- Product Appearance

Terminals 1 and 4 will have modifications on GW Rockers and Paddles and GW Illuminated Paddles with vertical termination. These changes will effect both standard and custom products. The table below lists the standard part numbers that will be effected, and the illustrations depict the differences before and after revisions.



Example of GW22LCV before change to the terminals.

GW Rockers & Paddles with Vertical PC					
GW12RBV	GW12RCV	GW12RHV	GW12LBV	GW12LCV	GW12LHV
GW22RBV	GW22RCV	GW22RHV	GW22LBV	GW22LCV	GW22LHV
GW Illuminated Paddles with Vertical PC					
GW12LJVC	GW12LJVD	GW12LJVF	GW12LJVC	GW12LJVD	GW12LJVF



Note

The footprint will not be effected by the terminal changes. Contact the factory if further details are needed.

Effective Date

Changes to GW Series vertical PC terminals will be effective April 2015.

NKK SWITCHES CO., LTD. <http://www.nkk.com> E-mail: nkkswitches@nkkswitches.co.jp

715-1 Unane, Takatsu-ku, Kawasaki-shi, 213-8553 Japan TEL: +81 44 813 8001 FAX: +81 44 813 8031